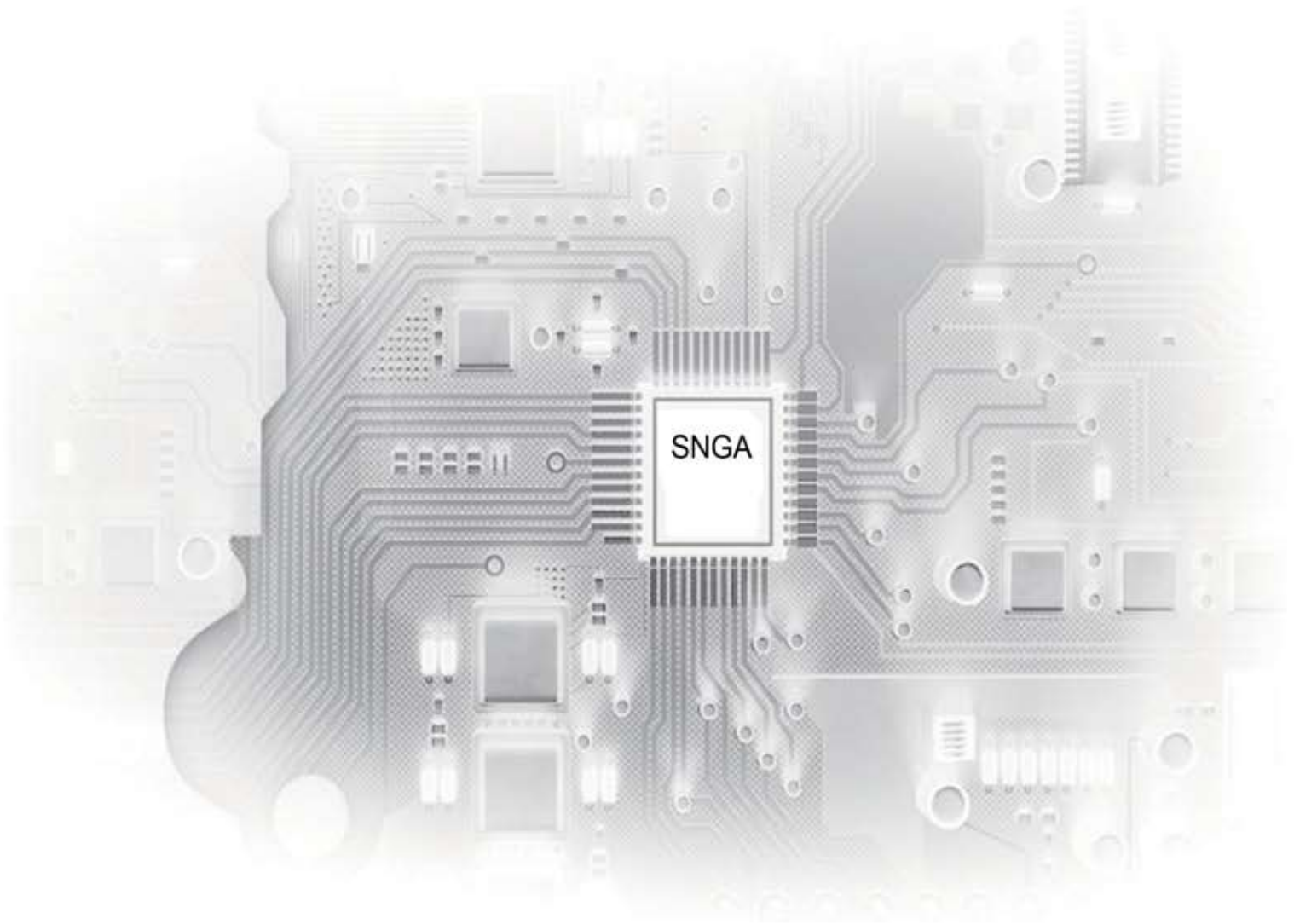




# LEGEND CONTROL MANUAL

[support@legendcontrols.com](mailto:support@legendcontrols.com)  
[www.legendcontrols.com](http://www.legendcontrols.com)

# Auto Rescue Device For Lift 3P/380 Operation Manual



## INTRODUCTION

The ARD is a newest generation of emergency rescue device for elevator system to guarantee the return of cabinet to the nearest floor or bottom floor and open the door safely in the event of AC mains power failure, also in the case of power problem with lift itself. The smart CPU-based ARD can be installed with any type of control panel of elevator systems, it functions with sealed batteries and free maintenance. Easy installation and safe landing the cabinet for 100% security to the lift's operation.

What it works for ?

The ARD comes into operation within few seconds when the AC mains power is failure or power system got problem in lift itself. If the lift is staying at the floor level, ARD simply open the cabinet door. If the lift is blocked between two floors, ARD turns the motor in the direction that requires the least expenditure of current to bring the cabinet to the nearest floor level or bottom floor level with commanded, and then open the door. When this operation has been completed, the ARD turns off automatically.

## FEATURES

- Smart CPU to detect the elevator power condition at real time and operate the safe landing for any emergency happened.
- V3F technology to fit the variable voltage and variable frequency for reliable power supply to the elevator
- Complex control circuit design
- Compact mechanical design for space-saving
- Easy installation and safe operation
- LCD display
- Overload management for heavy loads

## CAUTION

- Thank you for using our product. For the sake of maintaining the normal operation of this ARD device, please read the user manual completely before installation.
- Please carefully check the model and parameters on the nameplate of this product with relevant parts of elevator. If there is any non-identical information, please contact with the authorized engineering service center where you bought the device immediately, to consult the solution before any installation or operation.
- Don't touch the high voltage parts built in the device during testing or setting the parameters or checking the unit.
- If this device has not been used over than six months, please charge the batteries before operation. The device may be stayed at the system integrator site for some time, thus, please check it with the supplier if you have uncertain information about this matter.

### ***Battery charging method :***

***Connect input power in 3 phase / 380VAC to charge the batteries automatically.***

- If there is any failure happened, please contact with the qualified technical service center, all repairs should be performed by qualified service personnel.



## SETTINGS

### Delay start time setting

Time delay start time can be set as shown in figure by the time delay dial switch SW1. 1, 2 to set the ARD start time after power outage. 3, 4 is to set the ARD rescue to complete the signal down time.

### Switch set parameter table

Start delay time	Switch position		Close delay time	Switch position	
	1	2		3	4
5 seconds	OFF	OFF	0second	OFF	OFF
10 seconds	OFF	ON	10seconds	OFF	ON
15 seconds	ON	OFF	15seconds	ON	OFF
30 seconds	ON	ON	30seconds	ON	ON

VR1 = output voltage adjustment

VR2 = over load adjustment

S1	external switch (open door switch N/C) When set S1 in close circuit and lift arrives at the floor level, ARD will shutdown the Elevator after 15 seconds; and restart the elevator automatically when AC mains come back.
COM,NO&NC	user can install accessories like alarm or others to our ARD unit.

Downtime selection:

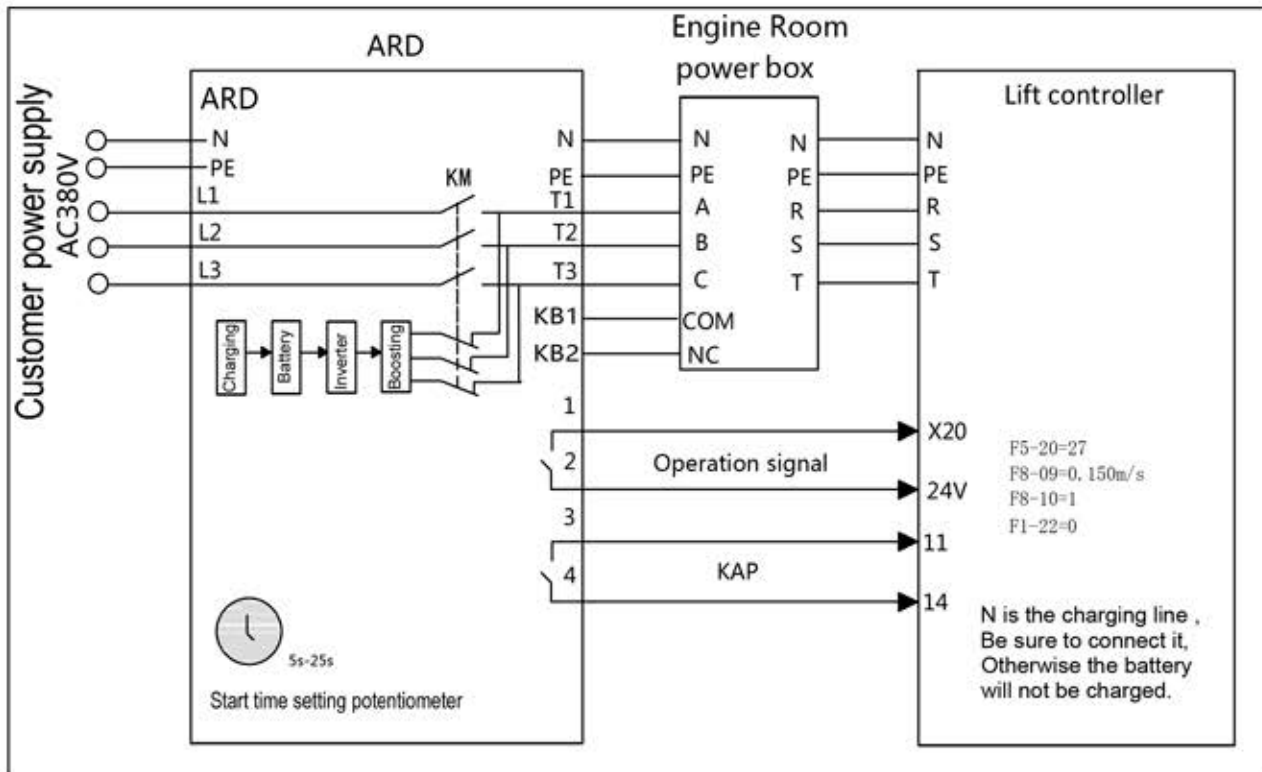
SW3 Switch position		Downtime
1	2	
ON	ON	1 minute
OFF	ON	2 minutes
OFF	OFF	3 minutes

## Explanation of LCD Display

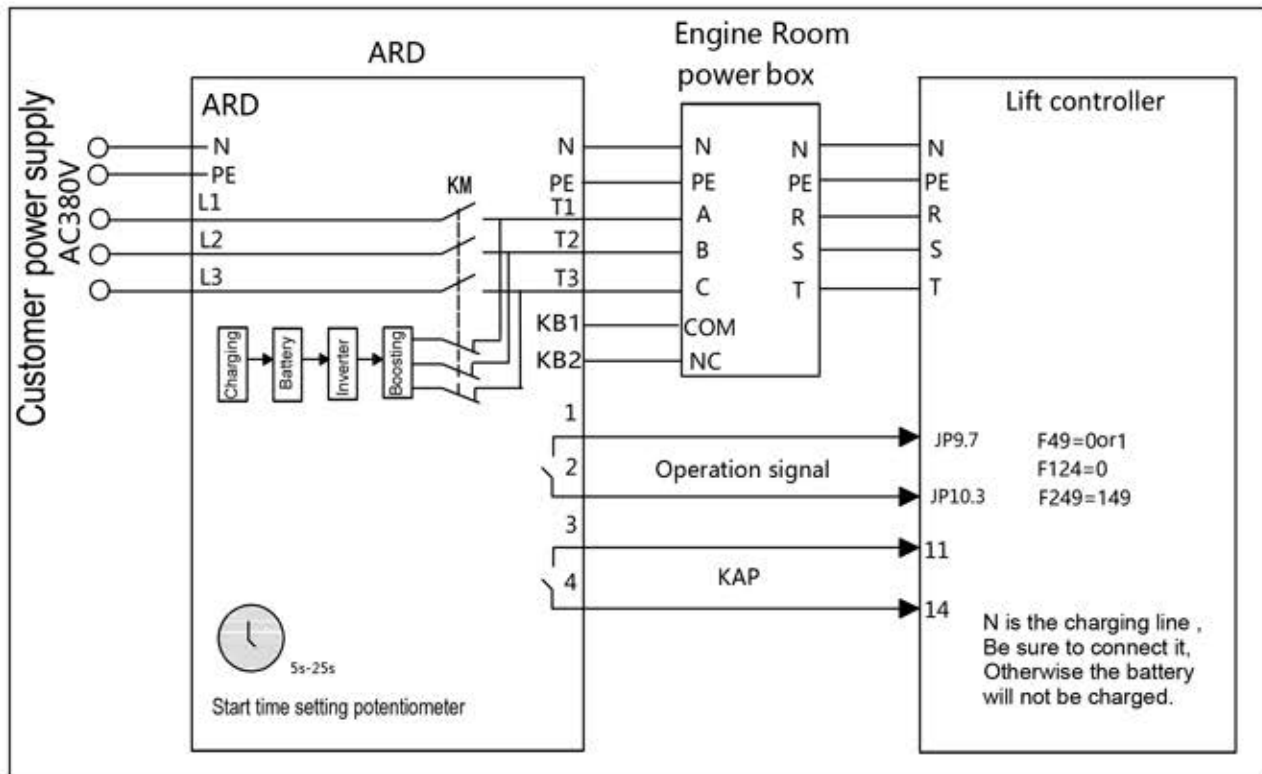
LCD Display	Description	Remarks
WELCOME ARD SERVICE	System starts	
MAIN ON BATTERY CHARGE	AC mains supply is on Battery charging on	
MAIN OFF INVERTER MODE	AC mains stop System enters into inverter mode	
WARNING ! BATTERY LOW	The alert for battery low indication	
WARNING ! BATTERY LOW SD	The alert for system shutdown with low battery power	
WARNING ! OVER LOAD 125%	The alert for 125% over-load indication	Please try to reduce the loads after receiving this alert
WARNING ! OVER LOAD 200%	The alert for 200% over-load indication	Please try to reduce the loads after receiving this alert
WARNING ! OVER LOAD SD	System shutdown with over loads than rated	Reduce the loads and switch On/Off button to re-start the system
WARNING ! OUTPUT SHORT	The alert for output shorted	
WARNING ! AFTER 15 SEC SD	S1 switch is turned off, system will be shutdown within 15 sec.	System is waiting for AC mains on
WARNING ! 15 SEC SD	System will be shutdown within 15 sec.	System is waiting for AC mains on
WARNING 180 SEC SD	System will be shutdown within 180 sec.	System is waiting for AC mains on
WARNING ! OUTPUT ERROR	The alert for failed output	
WARNING ! OVER TEMP	The alert for high temperature	

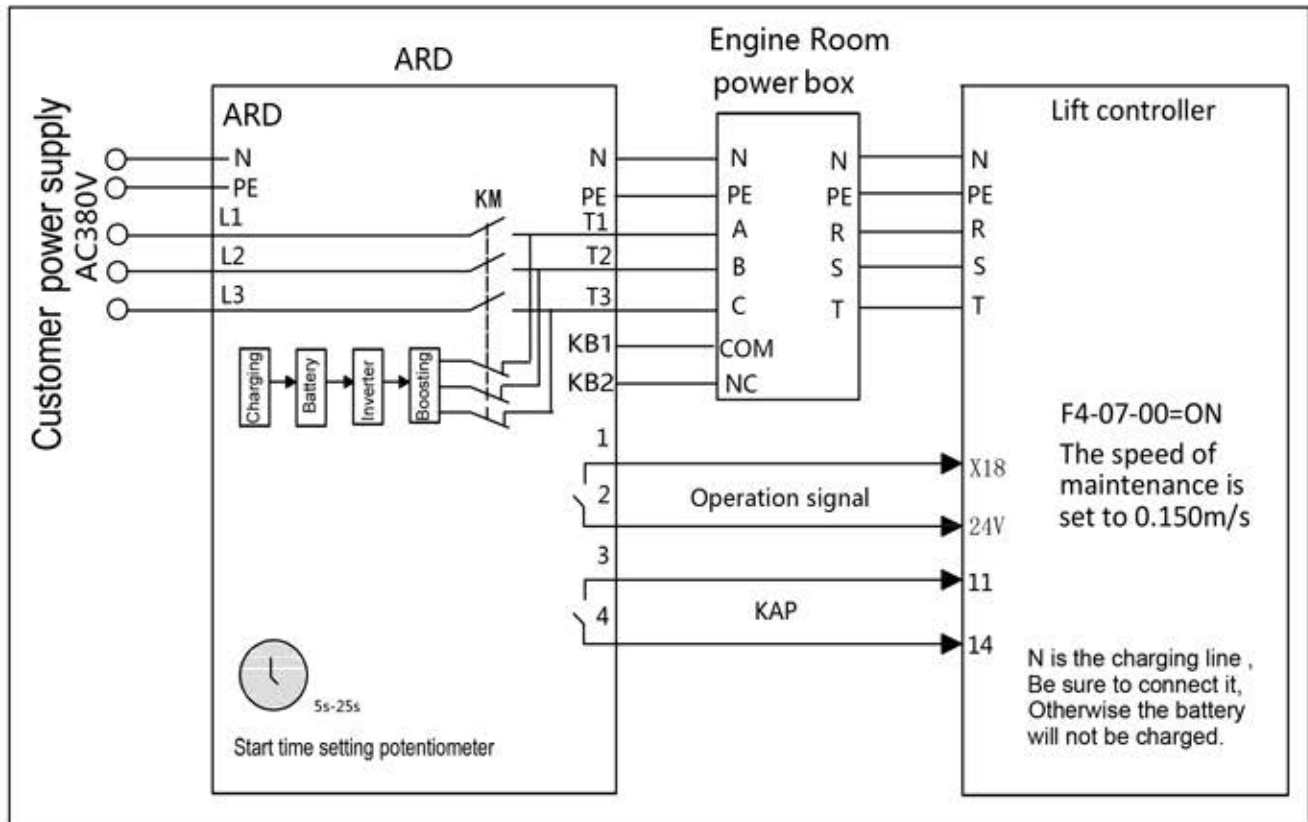
# Installation example

## NICE3000+Serial integrated machine system



## AS380 Integrated machine system









[support@legendcontrols.com](mailto:support@legendcontrols.com)  
[www.legendcontrols.com](http://www.legendcontrols.com)

